

EQUIP. TYPE *R390A/URR* EXP. NO.

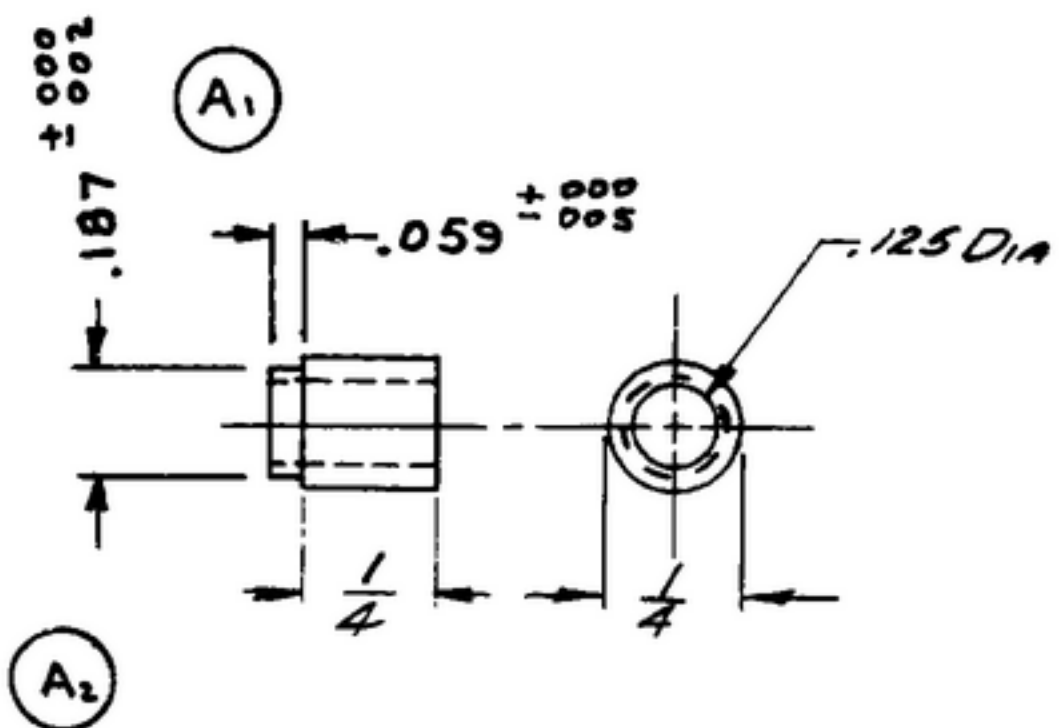
Col. 540-7603-002

NOTICE: WHEN GOVERNMENT DRAWINGS, SPECIFICATIONS, OR OTHER DATA ARE USED FOR ANY PURPOSE OTHER THAN IN CONNECTION WITH A DEFINITELY RELATED GOVERNMENT PROCUREMENT OPERATION, THE UNITED STATES GOVERNMENT THEREBY ASSUMES NO RESPONSIBILITY FOR ANY OBLIGATION WHATSOEVER AND THE FACT THAT THE GOVERNMENT MAY HAVE FORMULATED, FURNISHED, OR IN ANY WAY SUPPLIED THE SAID DRAWINGS, SPECIFICATIONS, OR OTHER DATA IS NOT TO BE REGARDED AS IMPLICATION OR ENDORSEMENT AS IN ANY MANNER LIMITING THE RIGHTS OF ANY OTHER PERSON OR CORPORATION, OR CONVEYING ANY RIGHTS OR PERMISSION TO MANUFACTURE, USE, OR SELL ANY PATENTED INVENTION THAT MAY IN ANY WAY BE RELATED THERETO.

THIS DOCUMENT HAS BEEN PURCHASED BY THE GOVERNMENT AND MAY BE REPRODUCED AND USED IN CONNECTION WITH ANY GOVERNMENT PROCUREMENT BY ANY OTHER AGENCY.

* FOR INFORMATION ONLY. CONTRACTOR MAY AT HIS OPTION DEVIATE FROM THESE PROCESS DETAILS.

REVISIONS			
SYM	DESCRIPTION	DATE	APPROVAL
A₁	SWE APPROVAL		
SYM PR 10042-B			
A₂	CA84628		
A ₁	A ₁ ADDED DIM'S .187 & .059	9 NOV 59	42428-PC
A ₂	A ₂ R WAS TM	60	REV'D PME



PLASTIC FORM R TYPE PBE PER SPEC MIL-P-79.

COLLINS PART NO.	ITEM	QTY	PART NO.	DESCRIPTION	MATL	MATL SPEC
LIST OF MATERIAL						
-COLLINS PART NO. <i>558-0390-002</i>						

DRAWN <i>JENNETT</i>		CHECKED <i>Rhm</i>	APPROVED	COLLINS-RADIO CO. -OSHA-PAPERS-107A <i>14214-PH</i> <i>51-93</i>	<i>POST-SPACING</i>	DEPARTMENT OF THE ARMY SIGNAL CORPS ENGINEERING LABORATORIES
UNLESS OTHERWISE SPECIFIED: DECIMAL DIMENSIONS INCLUDING HOLE SIZES MAY VARY ±.008 FRACTIONAL DIMENSIONS INCLUDING HOLE SIZES MAY VARY ±1/64 MACHINED ANGLES MAY VARY ±.1° SHEARED ANGLES MAY VARY ±.25° BROKEN ANGLES MAY VARY ±1° ECCENTRICITY BETWEEN ANY DIAMETERS ON THE SAME CENTERLINE SHALL NOT EXCEED .010 TOTAL INDICATOR READING. ALL DIMENSIONS ARE FINISH DIMENSIONS INCLUDING APPLIED FINISH AND ARE GIVEN IN INCHES.			SIGNAL CORPS	REVIEWED <i>PME</i>		FORT MONMOUTH NEW JERSEY
APPLICATION			APPROVED <i>HLV</i> <i>PME</i>	DATE <i>14 DEC 55</i> SCALE <i>2/1</i>		<i>SM-B-249040</i>